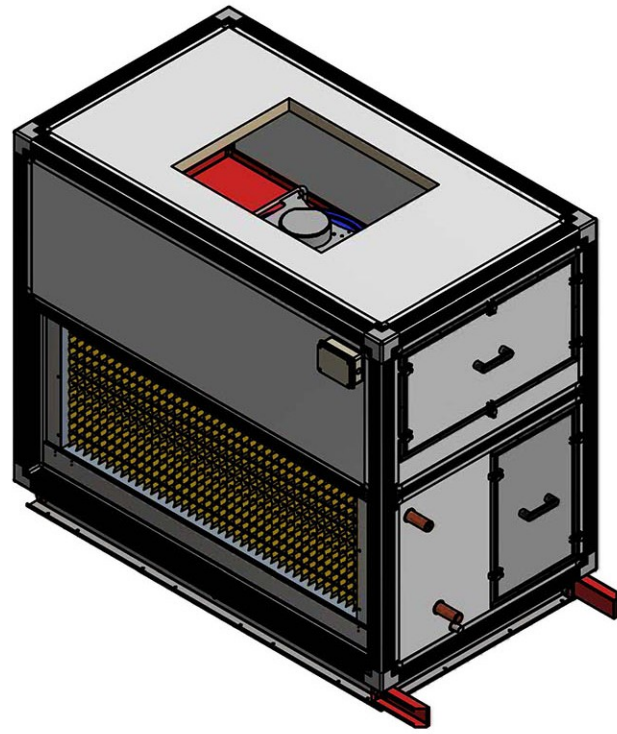
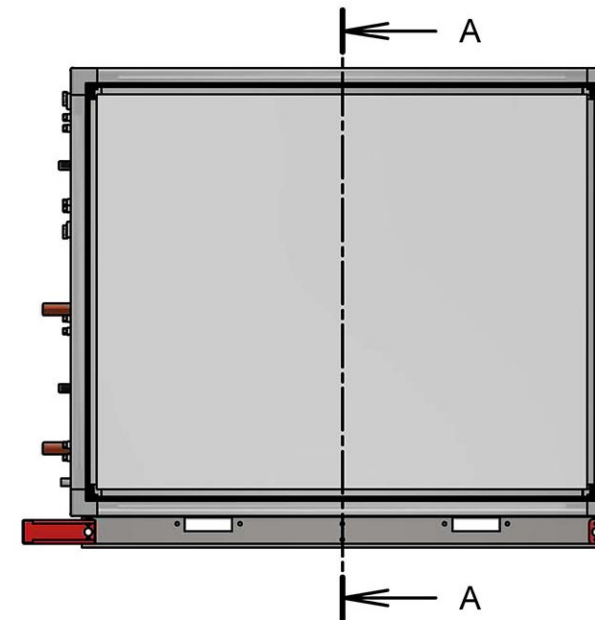
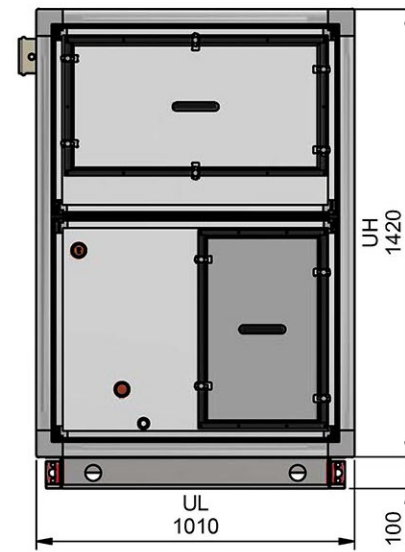
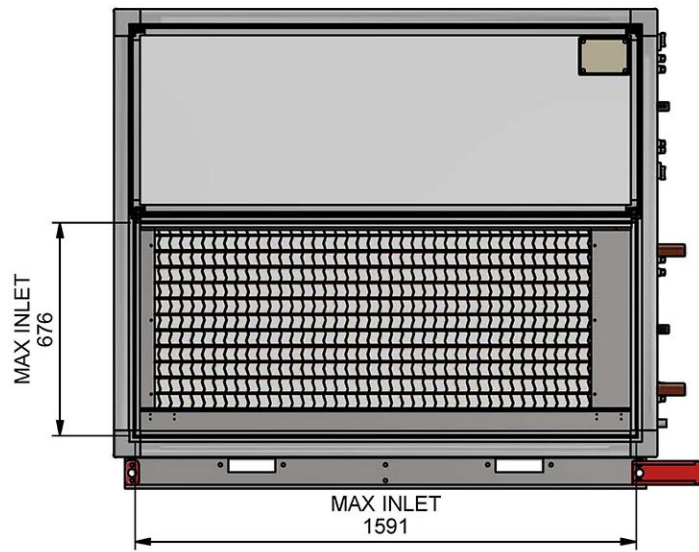
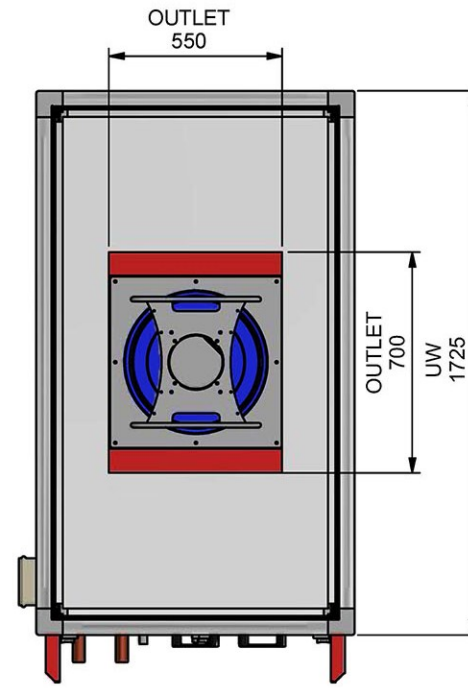
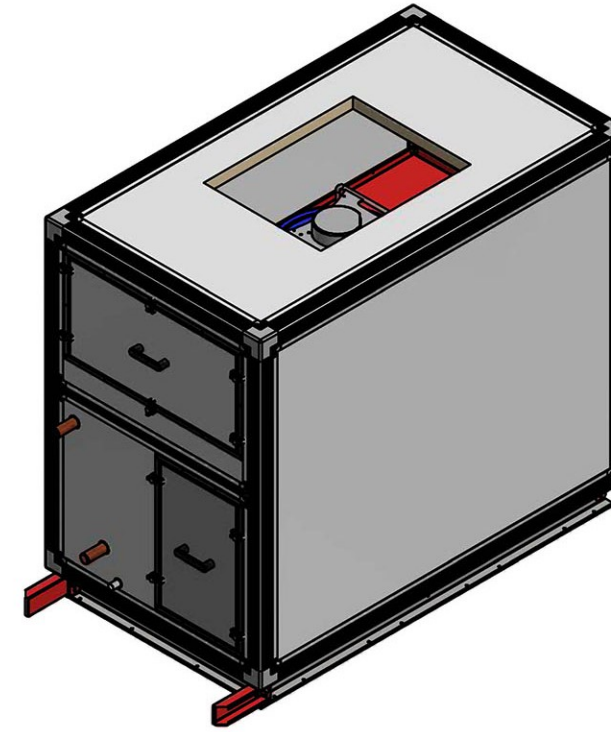


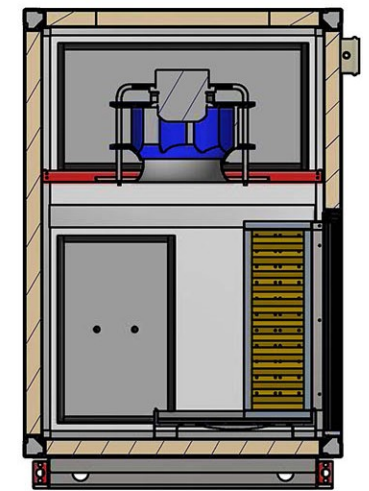
VIEW ISO 1 (1 : 25)



VIEW ISO 2 (1 : 25)



A-A (1 : 24)



MAX S/A (HORIZONTAL) : 380 X 1500MM
 MAX S/A (VERTICAL) : 770 X 1500MM

UNLESS OTHERWISE SPECIFIED
 DIMENSIONS ARE IN MILLIMETERS
 BREAK AND DEBUR ALL SHARP EDGES

3rd ANGLE PROJECTION
 DO NOT SCALE DRAWING

Rev	By	Date	Description
/00	Toh	21/03/2017	Initial Released

Fantech Pty Ltd. © A.C.N. 005 434 024 45 NESTOR DRIVE, MEADOWBROOK, QUEENSLAND, AUSTRALIA. 4131 TELEPHONE: (07) 32 999 888 FACSIMILE: (07) 32 999 800						General Layout ME2B-V205/G3-FCO, GR40(115514)X1					
DRAWN:	Toh	DATE:	21/3/2017								
CHKD:	Sean	DATE:	--								
APPRD:	JT	DATE:	--	DRAWING NO:	868-8010-2205	REV:	/00	SCALE:	1 : 24	SIZE:	A3